

REVISIONS		
REV.	DESCRIPTION	DATE
1.5	INITIAL RELEASE	08/13/2024
2.0	SCAN LINE DISTANCE FROM BASE CHANGED FROM 14.70 TO 15.70mm. CHANGED RJ45 CONNECTOR. CHANGED CONNECTOR POSITIONS AND ORIENTATION.	03/05/25

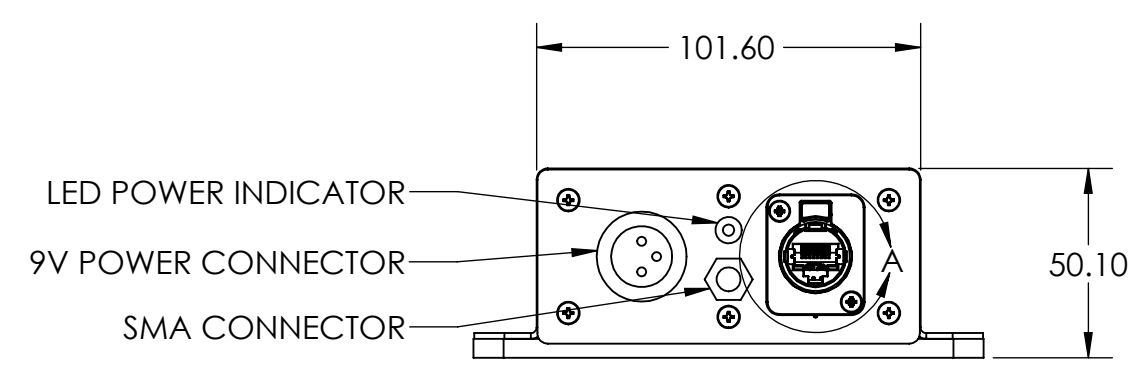
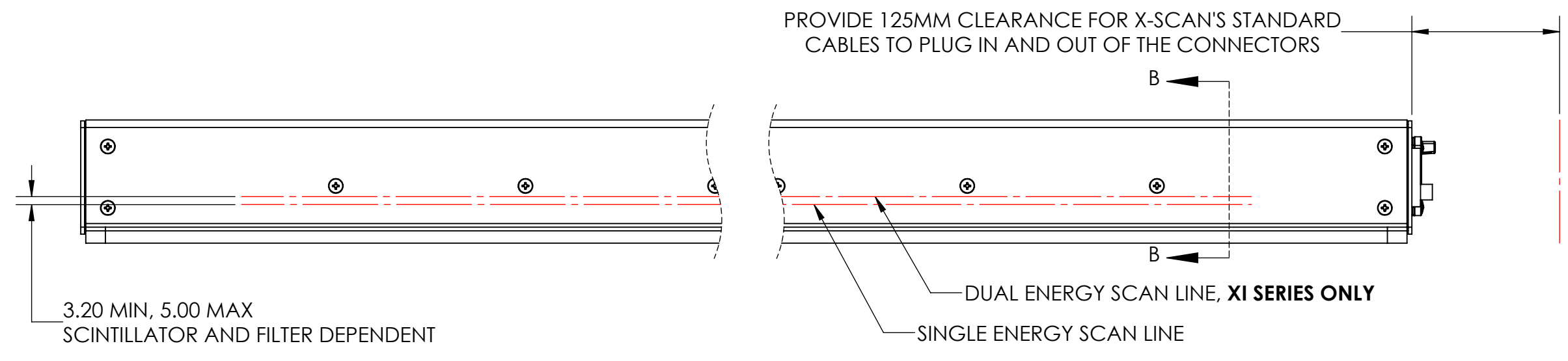
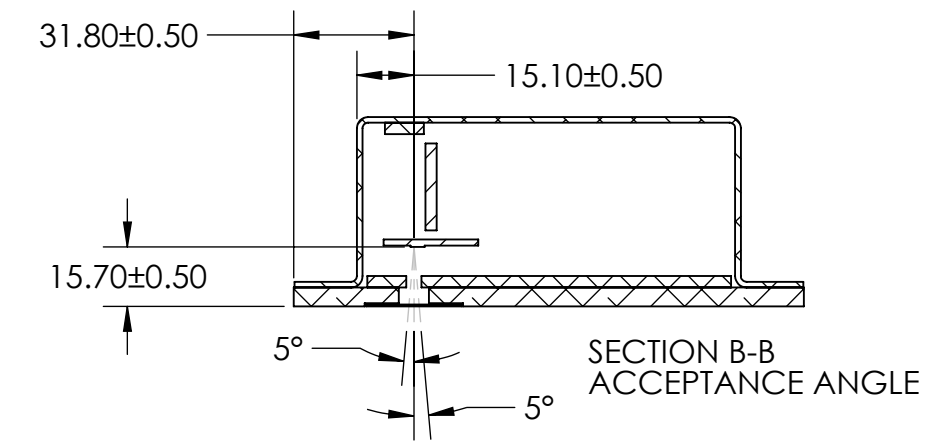
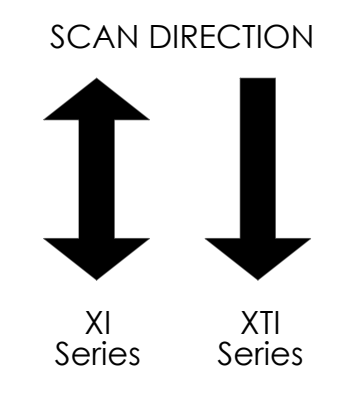
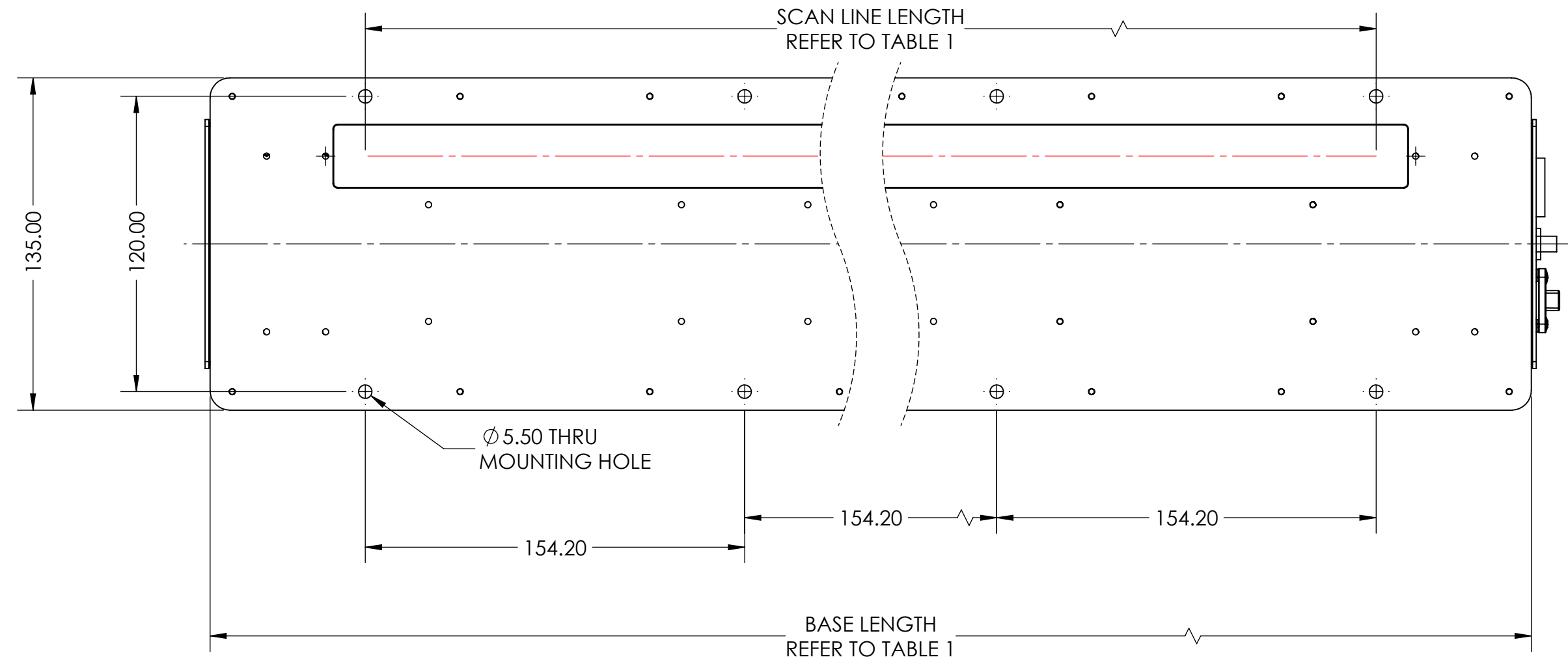
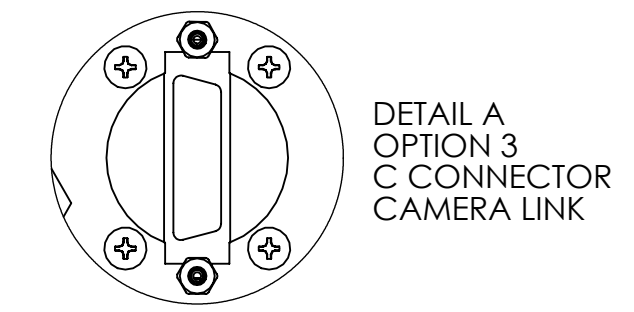
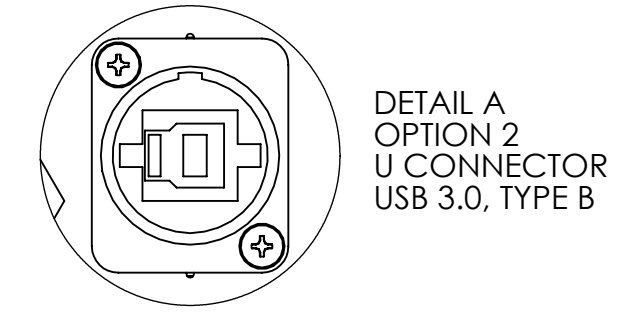
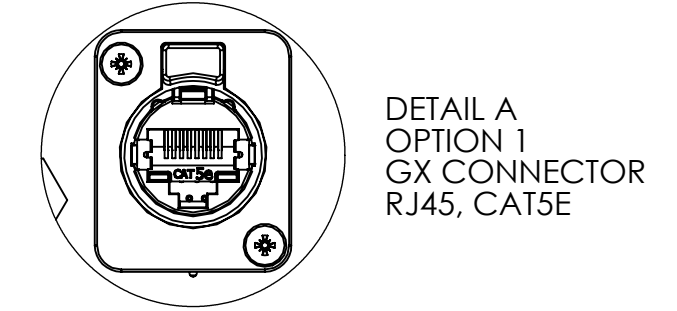


TABLE 1

LENGTH CODE	012	014	016	018	020	022	024	026	028	030	032	034	036	038	040	042	044	046	048	050	052	054	056	058	060	062	064	066	068	070	072
SCAN LINE LENGTH	308	360	411	462	513	565	616	667	719	770	821	873	924	975	1026	1078	1129	1180	1232	1283	1334	1386	1437	1488	1539	1591	1642	1693	1745	1796	1847
BASE LENGTH	435	589	589	589	743	743	743	898	898	898	1052	1052	1052	1206	1206	1206	1360	1360	1360	1514	1514	1514	1669	1669	1669	1823	1823	1823	1977	1977	1977



CUSTOMER NAME	SIGNATURE	DATE

PROPRIETARY AND CONFIDENTIAL
THE INFORMATION CONTAINED IN THIS DRAWING IS THE SOLE PROPERTY OF X-SCAN IMAGING CORPORATION. ANY REPRODUCTION IN PART OR AS A WHOLE WITHOUT THE WRITTEN PERMISSION OF X-SCAN IMAGING CORPORATION IS PROHIBITED.

UNLESS OTHERWISE SPECIFIED:		NAME	DATE
DIMENSIONS ARE IN MM	TOLERANCES:	MM	03/05/25
ANGLES: ± 0.5 DEGREES	NO PLACE DECIMAL: ± 0.5	CHECKED	
ONE PLACE DECIMAL: ± 0.2	TWO PLACE DECIMAL: ± 0.1	ENG APPR.	
		MFG APPR.	
		Q.A.	
		COMMENTS:	

X-SCAN IMAGING 107 Bonaventura Drive
San Jose, CA 95134

TITLE: **CMOS-SR DRAWING**

SIZE DWG. NO. REV
C FILE-004662 2.0

SCALE: 1:2 WEIGHT: SHEET 1 OF 1