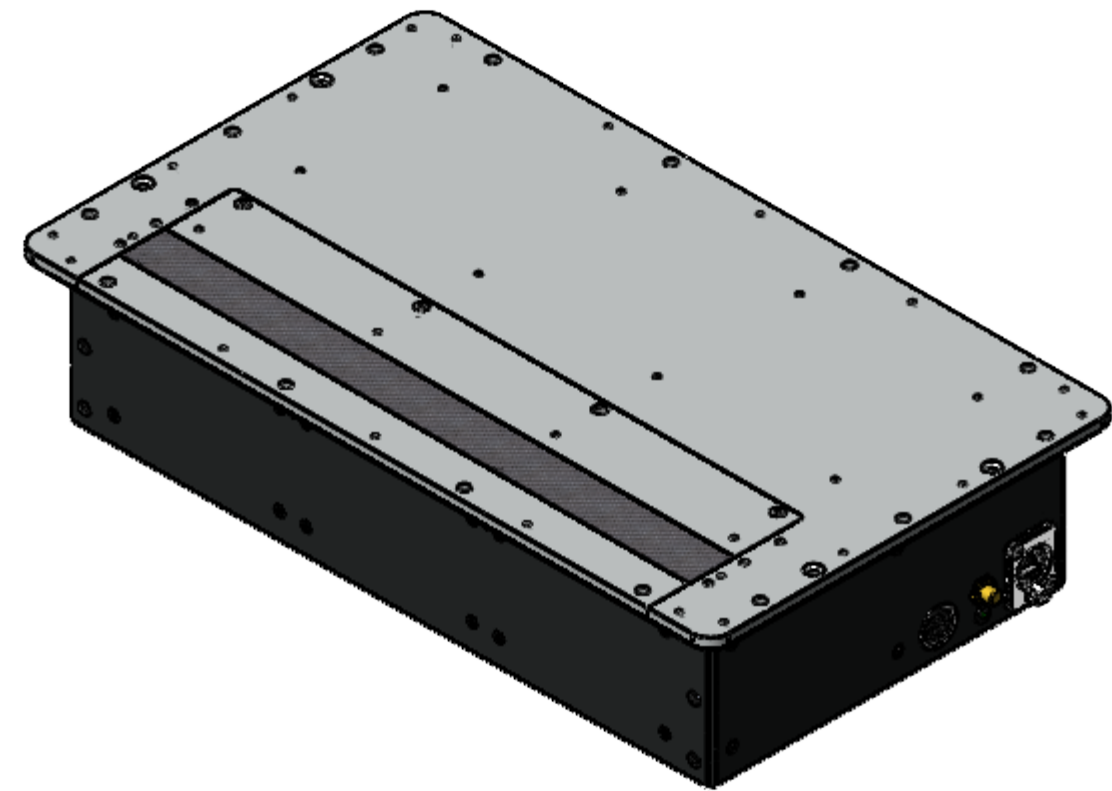
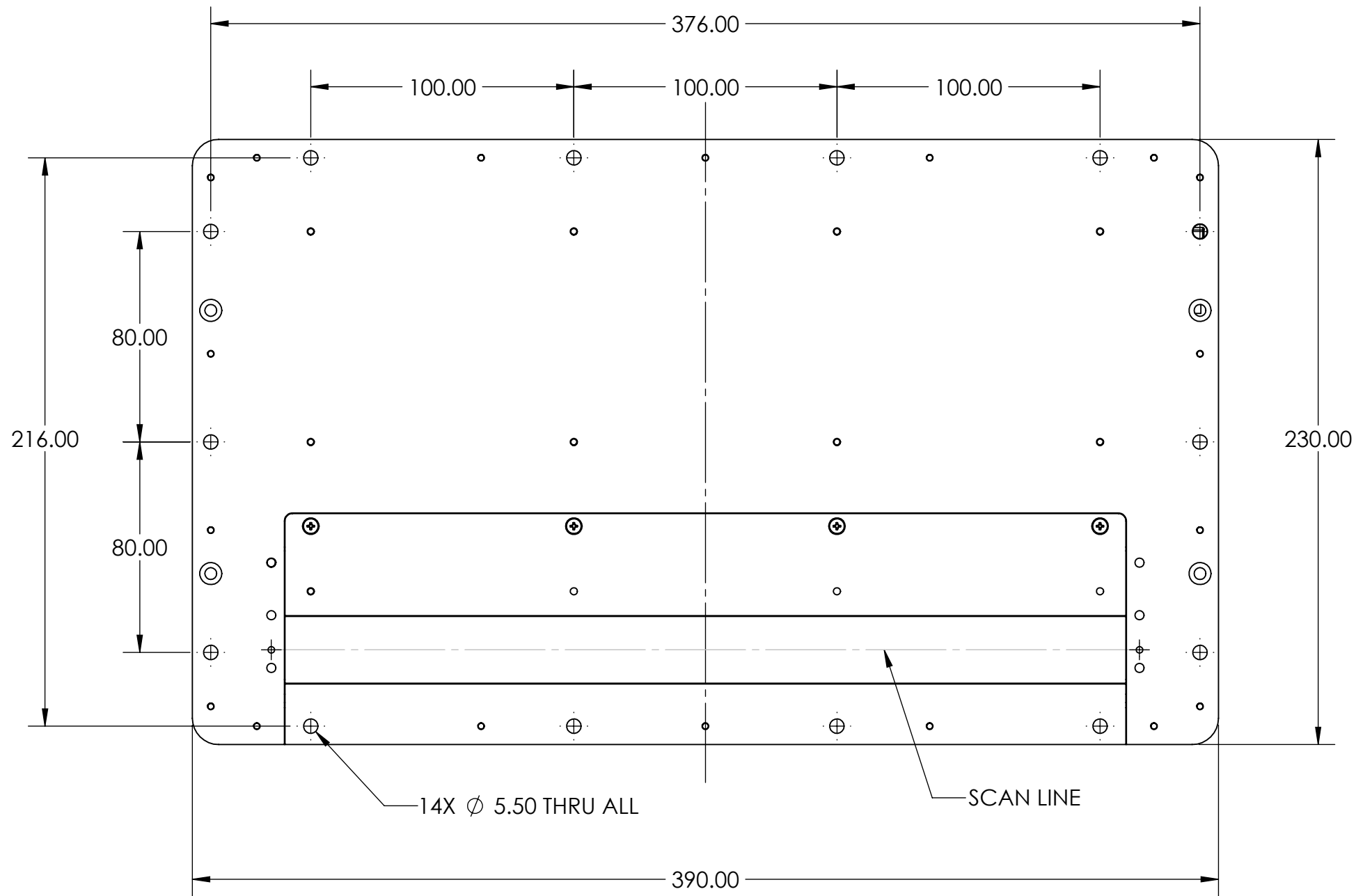
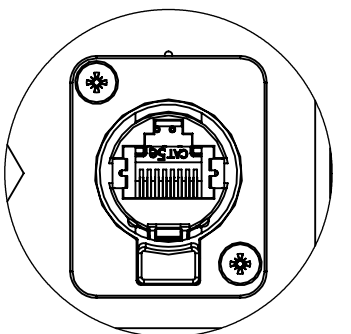
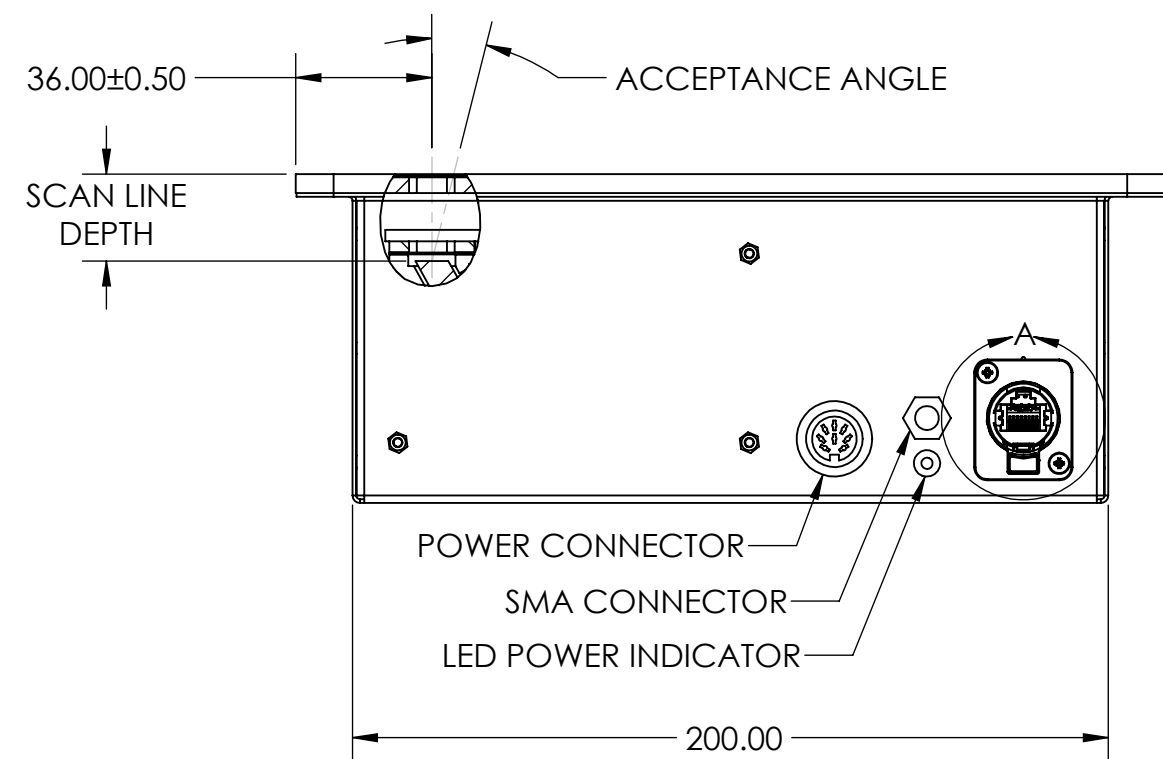
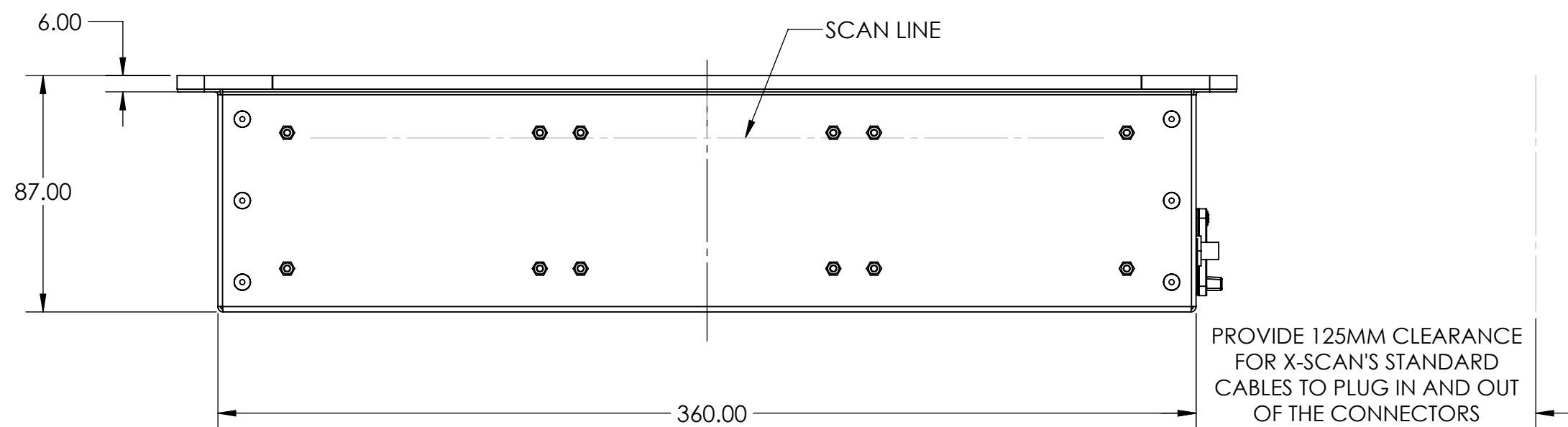


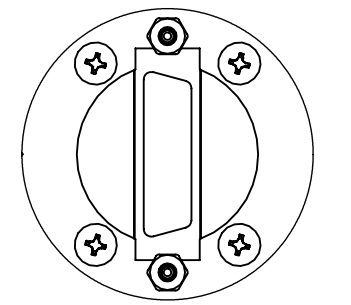
REVISIONS			
ZONE	REV.	DESCRIPTION	DATE
	1.0	INITIAL RELEASE	8/30/2024



Energy Rating (KV)	Scan Line Depth (mm)	Acceptance Angle
100	16.6 ± 0.4	23°
160	16.6 ± 0.4	23°
225	23.1 ± 0.6	15°
320	32.9 ± 0.9	11°



DETAIL A
GX CONNECTOR
RJ45, CAT5E



DETAIL A
C CONNECTOR
CAMERA LINK

UNLESS OTHERWISE SPECIFIED:		NAME	DATE	107 Bonaventura Drive San Jose, CA 95134
DIMENSIONS ARE IN MM		DRAWN	MM 08/30/24	
TOLERANCES:		CHECKED		TITLE:
ANGLES: ± 0.5 DEGREES		ENG APPR.		XTI12848-xxx-012-AS
NO PLACE DECIMAL: ± 0.5		MFG APPR.		Drawing
ONE PLACE DECIMAL: ± 0.2		Q.A.		SIZE DWG. NO. REV
TWO PLACE DECIMAL: ± 0.1		COMMENTS:		C FILE-004253 1.0
PROPRIETARY AND CONFIDENTIAL THE INFORMATION CONTAINED IN THIS DRAWING IS THE SOLE PROPERTY OF X-SCAN IMAGING CORPORATION. ANY REPRODUCTION IN PART OR AS A WHOLE WITHOUT THE WRITTEN PERMISSION OF X-SCAN IMAGING CORPORATION IS PROHIBITED.		INTERPRET GEOMETRIC TOLERANCING PER: ANSI Y-14.5 MATERIAL: SEE PARTS LIST FINISH: SEE PARTS LIST DO NOT SCALE DRAWING		SCALE: 1:2 WEIGHT: SHEET 1 OF 1

CUSTOMER NAME	SIGNATURE	DATE