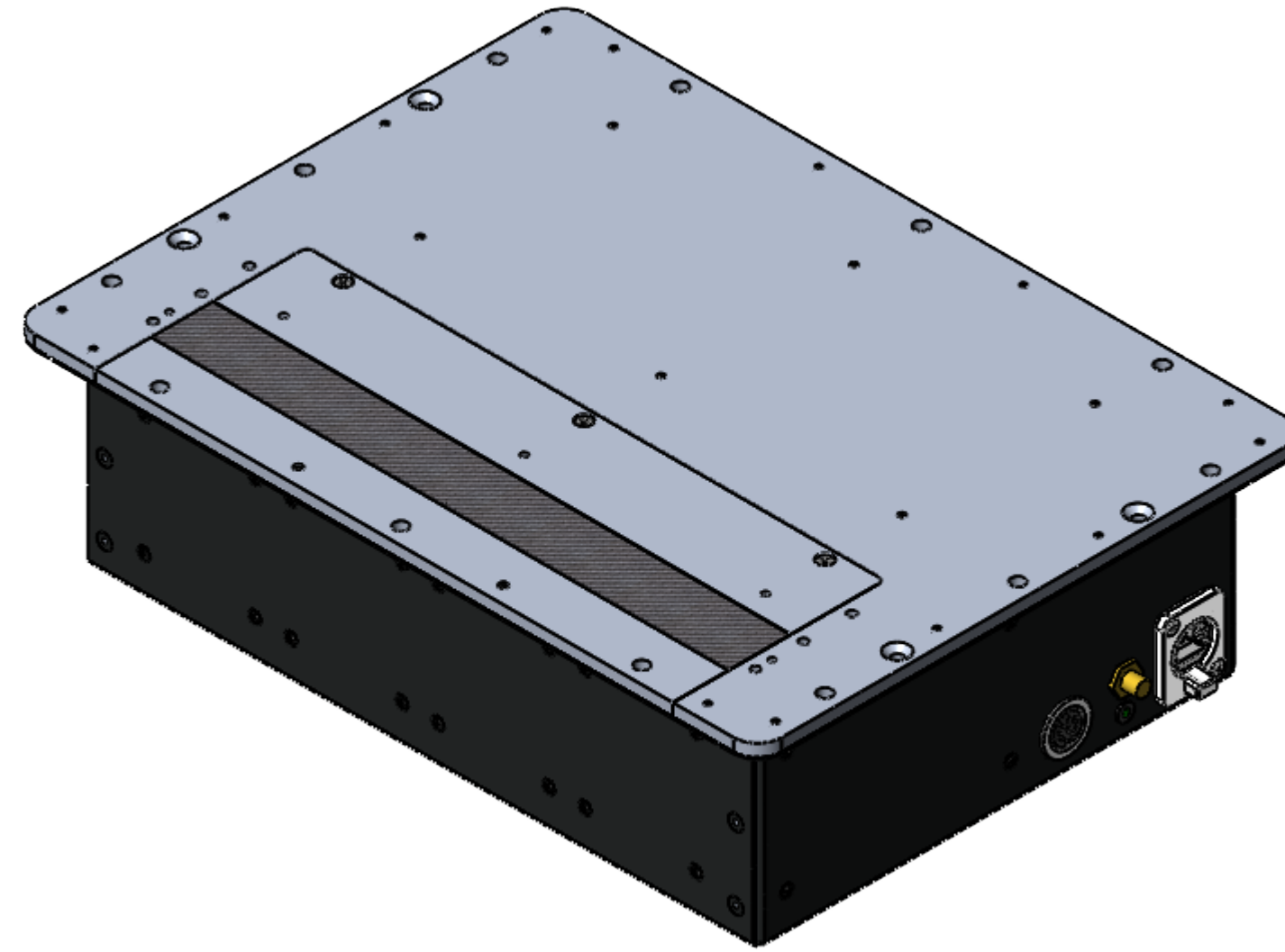
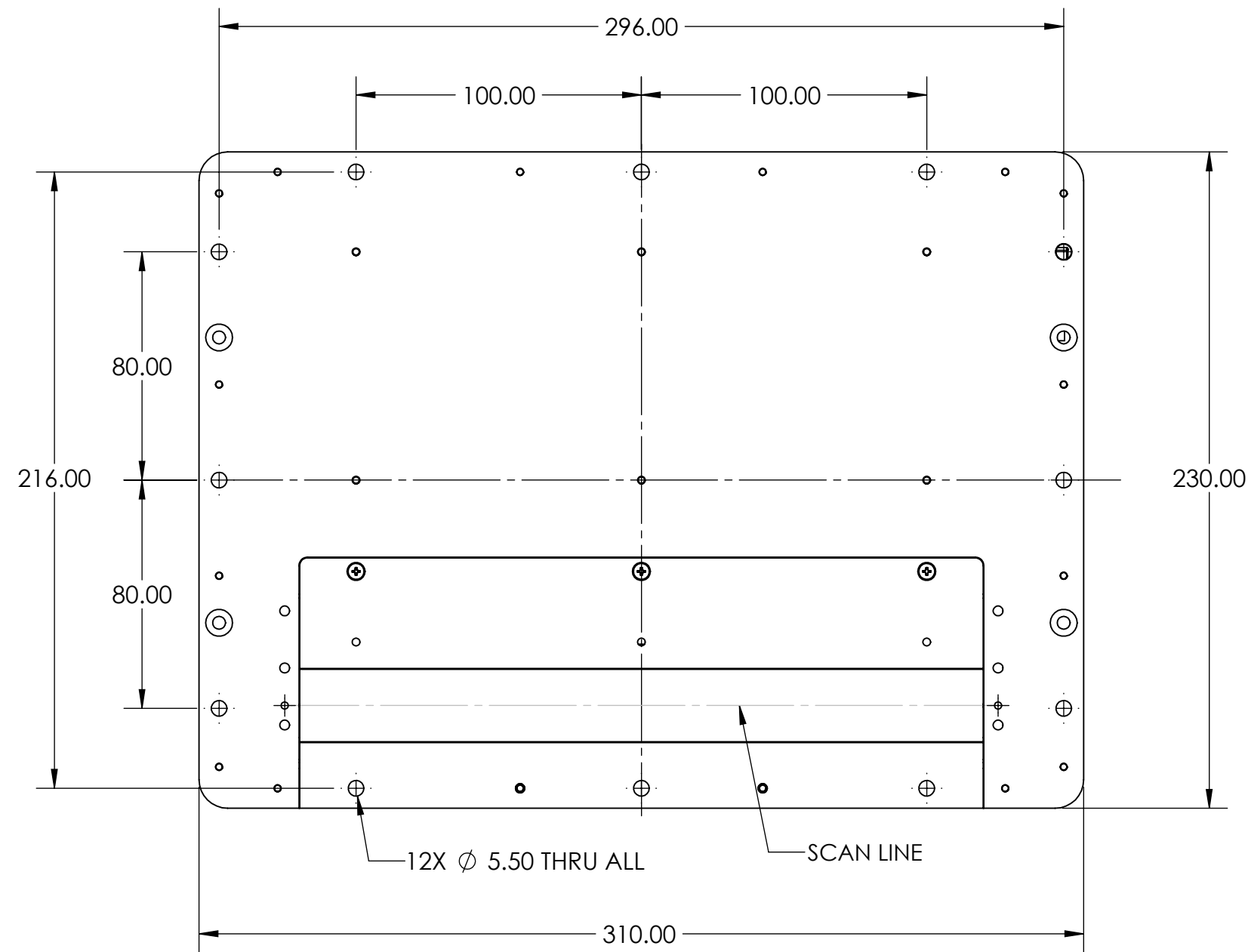
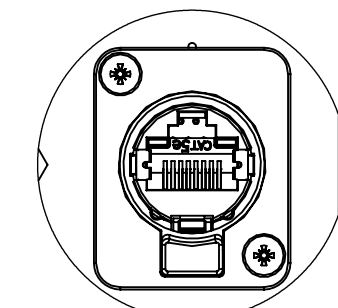
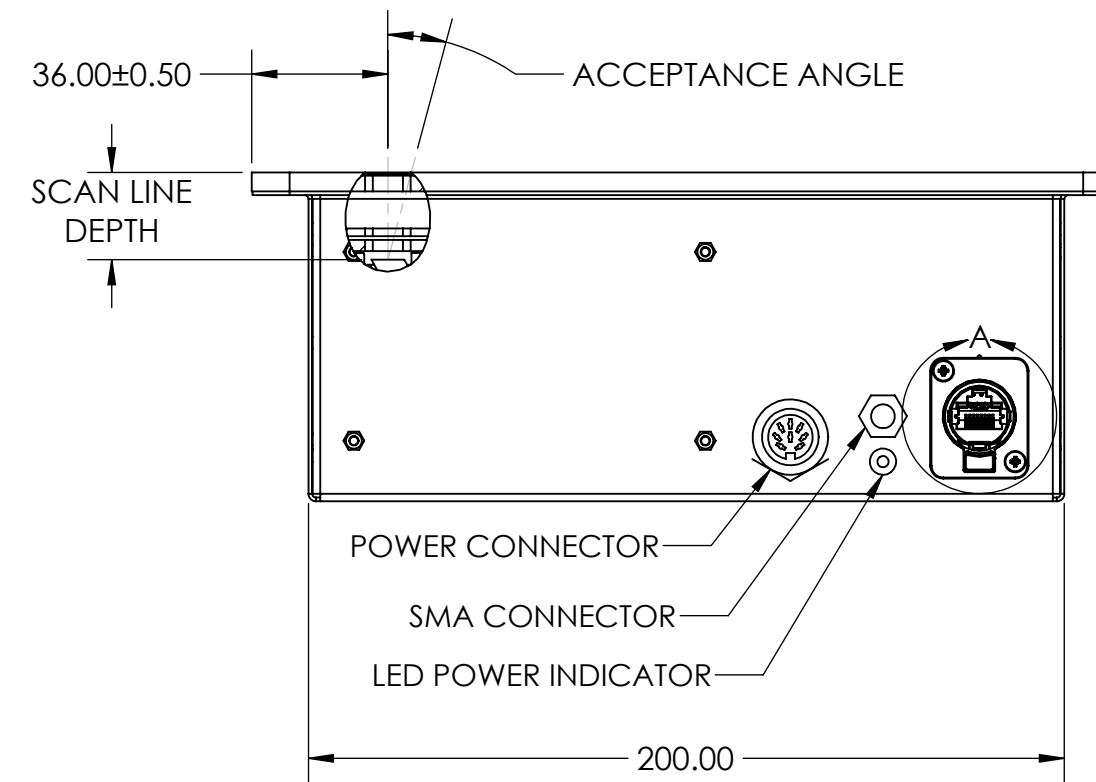
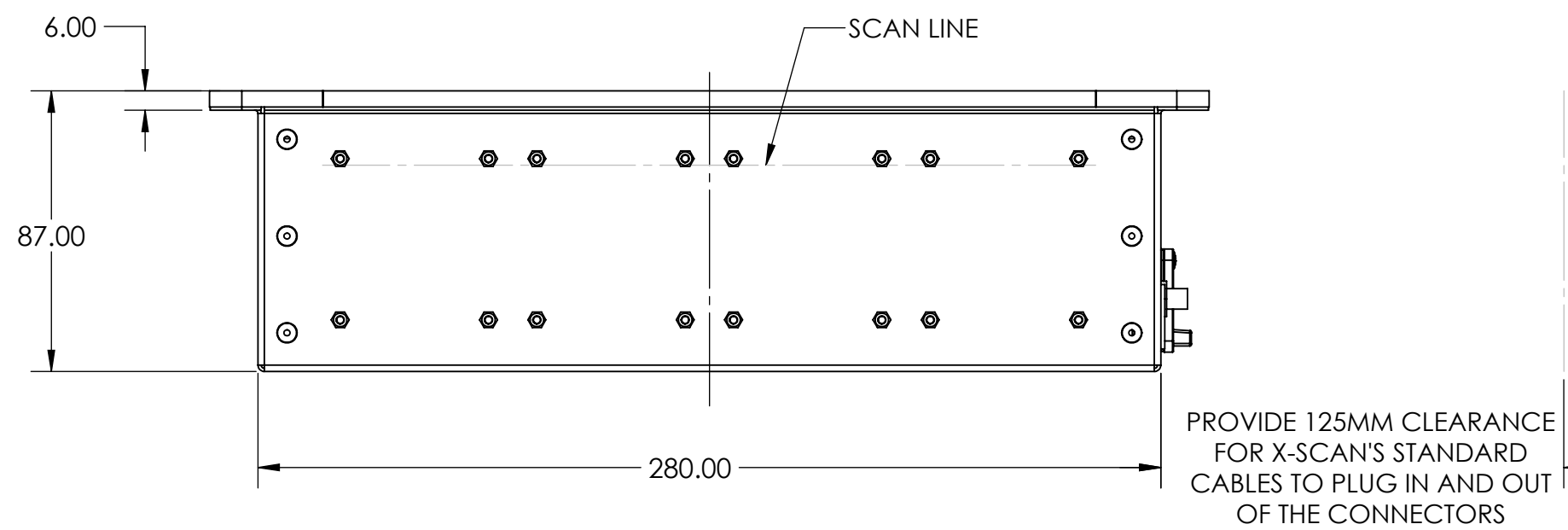


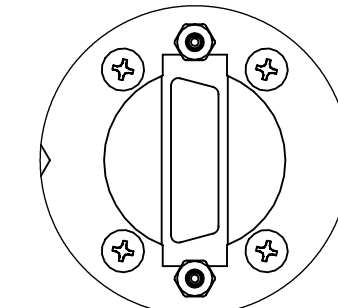
REVISIONS		
REV.	DESCRIPTION	DATE
1.0	INITIAL RELEASE	9/13/2024



Energy Rating (KV)	Scan Line Depth (mm)	Acceptance Angle
100	16.6 ± 0.4	23°
160	16.6 ± 0.4	23°
225	23.1 ± 0.6	15°
320	32.9 ± 0.9	11°



DETAIL A  
GX CONNECTOR  
RJ45, CAT5E



DETAIL A  
C CONNECTOR  
CAMERA LINK

UNLESS OTHERWISE SPECIFIED:		NAME	DATE	107 Bonaventura Drive San Jose, CA 95134
DIMENSIONS ARE IN MM		MM	09/13/24	
TOLERANCES:		DRAWN		TITLE: <b>XTI12848-xxx-009-TS</b> Drawing
ANGLES: ± 0.5 DEGREES		CHECKED		
NO PLACE DECIMAL: ± 0.5		ENG APPR.		
ONE PLACE DECIMAL: ± 0.2		MFG APPR.		
TWO PLACE DECIMAL: ± 0.1		Q.A.		SIZE DWG. NO. REV <b>C FILE-004287 1.0</b>
INTERPRET GEOMETRIC TOLERANCING PER: ANSI Y-14.5		COMMENTS:		
MATERIAL				SCALE: 1:2 WEIGHT: SHEET 1 OF 1
FINISH				
DO NOT SCALE DRAWING				

CUSTOMER NAME	SIGNATURE	DATE

**PROPRIETARY AND CONFIDENTIAL**  
 THE INFORMATION CONTAINED IN THIS DRAWING IS THE SOLE PROPERTY OF X-SCAN IMAGING CORPORATION. ANY REPRODUCTION IN PART OR AS A WHOLE WITHOUT THE WRITTEN PERMISSION OF X-SCAN IMAGING CORPORATION IS PROHIBITED.