

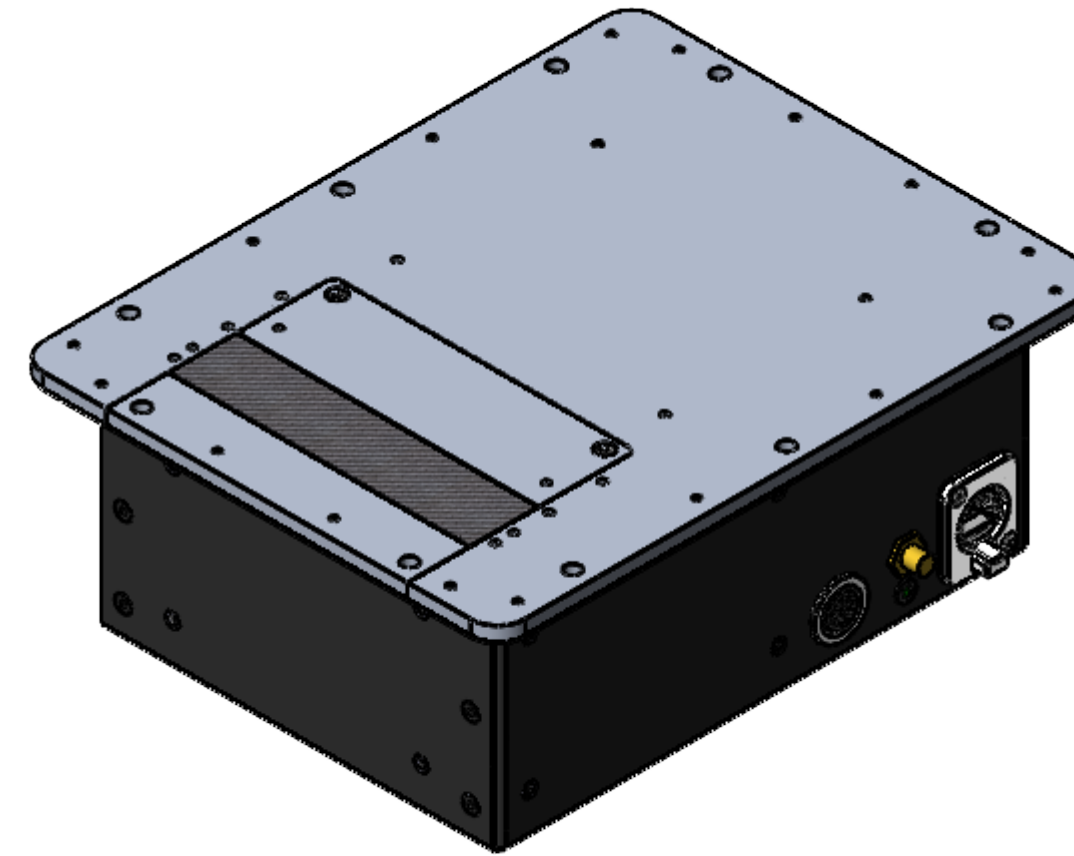
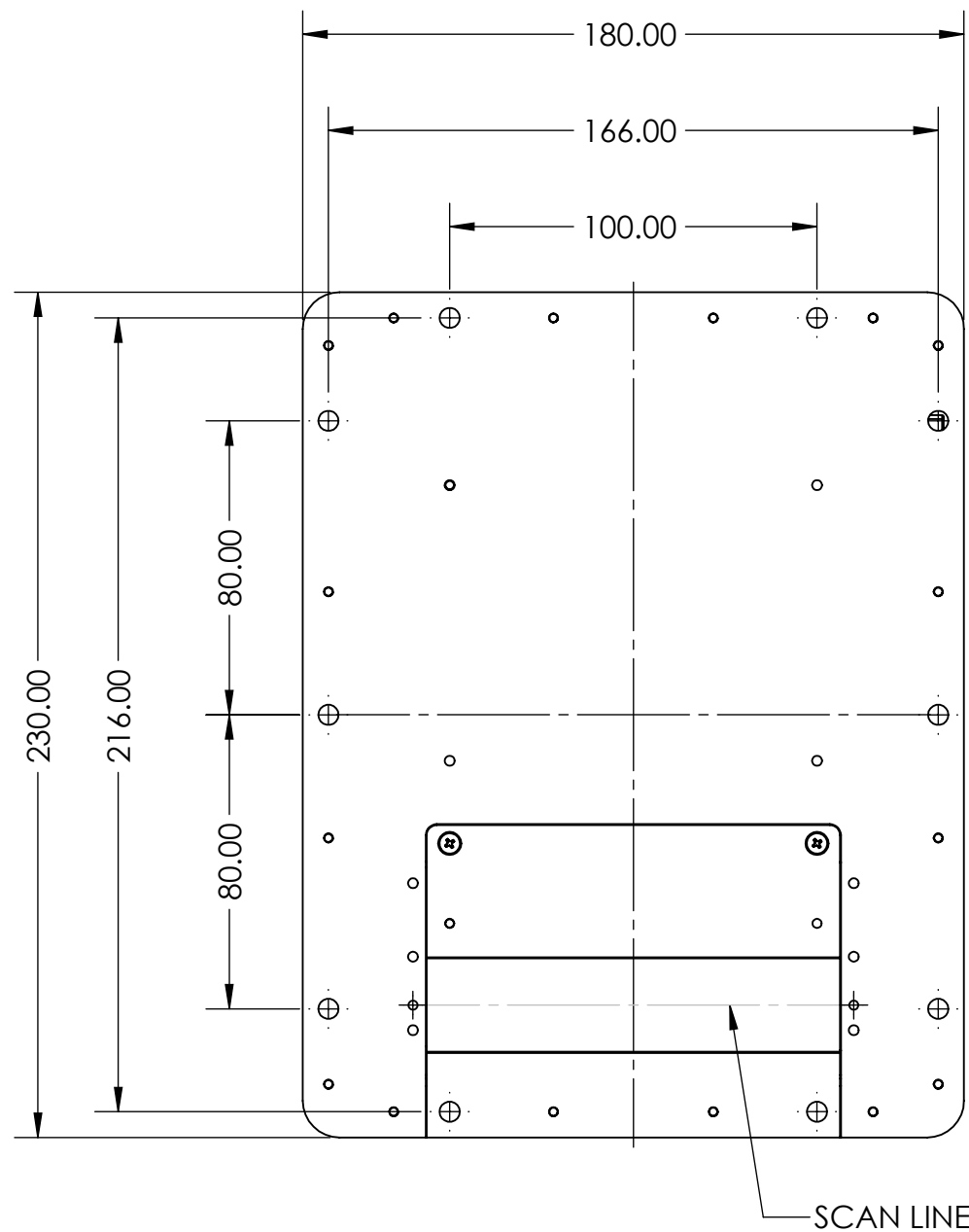
4

3

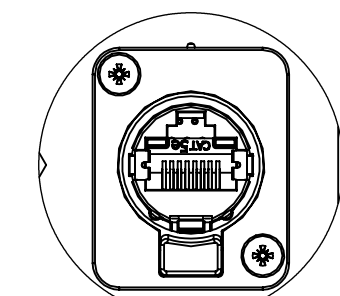
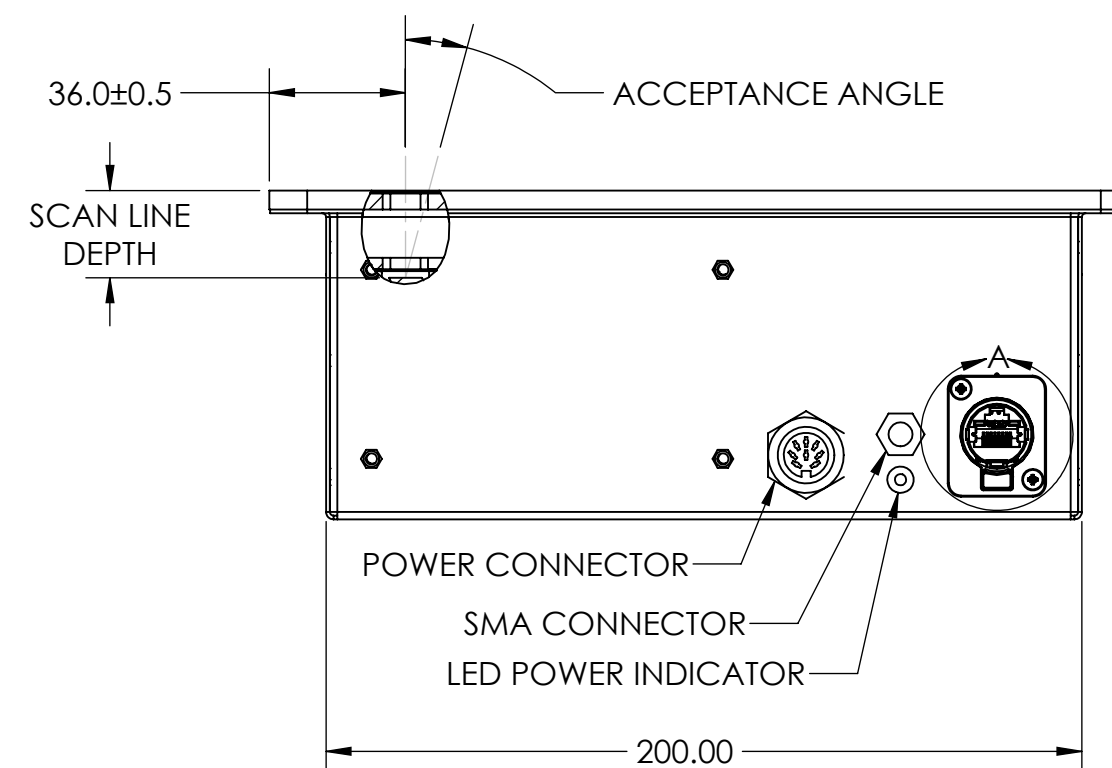
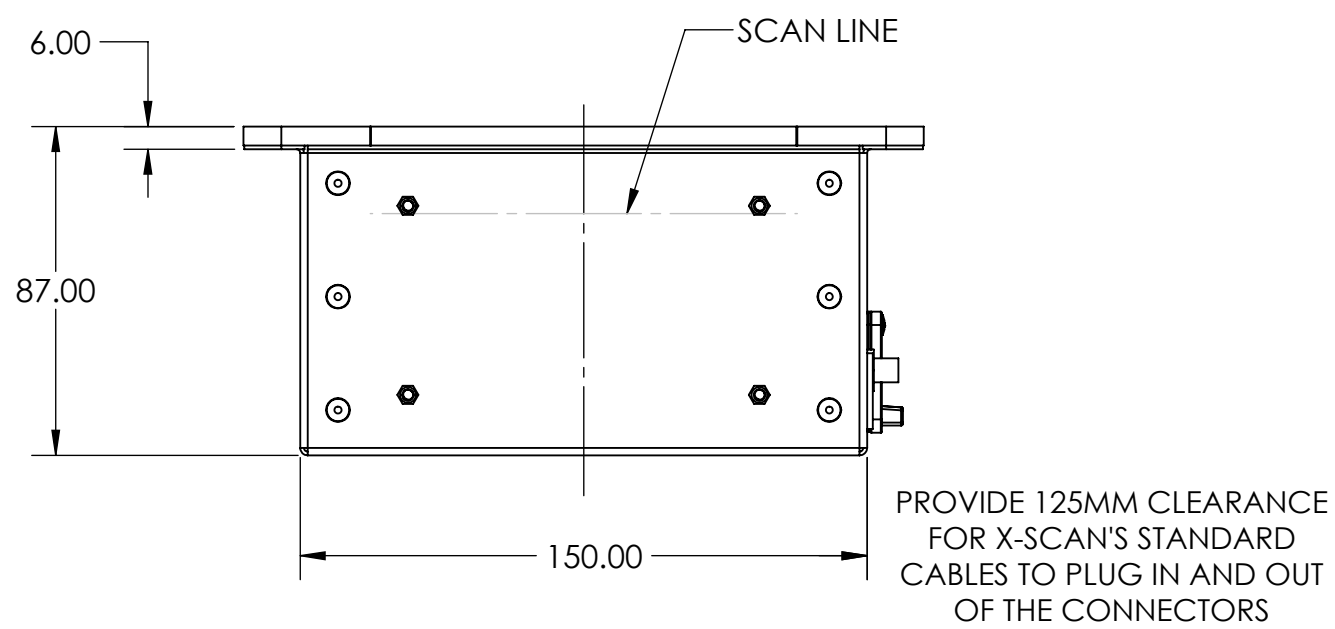
2

1

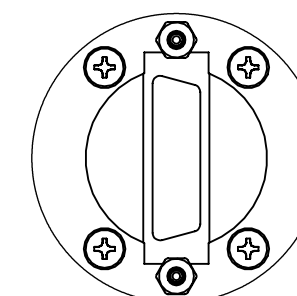
REVISIONS		
REV.	DESCRIPTION	DATE
1.0	INITIAL PROTOTYPE RELEASE	06/11/2024
1.1	ADDED ACCEPTANCE ANGLE TO THE DRAWING	07/2/2024
2.0	UPDATED POWER AND GIGE CONNECTORS. REMOVED EARTH GROUND LUG. ROUNDED CORNERS AND UPDATED MOUNTING HOLES. CORRECTED SCAN LINE POSITION.	9/10/2024



Energy Rating (KV)	Scan Line Depth (mm)	Acceptance Angle
100	16.6 ± 0.4	23°
160	16.6 ± 0.4	23°
225	23.1 ± 0.6	15°
320	32.9 ± 0.9	11°



DETAIL A
GX CONNECTOR
RJ45, CAT5E



DETAIL A
C CONNECTOR
CAMERA LINK

UNLESS OTHERWISE SPECIFIED:		NAME	DATE	107 Bonaventura Drive San Jose, CA 95134
DIMENSIONS ARE IN MM		DRAWN	MM	
TOLERANCES:		CHECKED		
ANGLES: ± 0.5 DEGREES		ENG APPR.		
NO PLACE DECIMAL: ± 0.5		MFG APPR.		
ONE PLACE DECIMAL: ± 0.2		Q.A.		
TWO PLACE DECIMAL: ± 0.1		COMMENTS:		
PROPRIETARY AND CONFIDENTIAL THE INFORMATION CONTAINED IN THIS DRAWING IS THE SOLE PROPERTY OF X-SCAN IMAGING CORPORATION. ANY REPRODUCTION IN PART OR AS A WHOLE WITHOUT THE WRITTEN PERMISSION OF X-SCAN IMAGING CORPORATION IS PROHIBITED.		INTERPRET GEOMETRIC TOLERANCING PER: ANSI Y-14.5 MATERIAL: SEE PARTS LIST FINISH: SEE PARTS LIST DO NOT SCALE DRAWING		TITLE: XTI1x12848-xxx-004-TS DRAWING
CUSTOMER NAME	SIGNATURE	DATE		SIZE DWG. NO. REV C FILE-004182 2.0
				SCALE: 1:2 WEIGHT: SHEET 1 OF 1

CUSTOMER NAME	SIGNATURE	DATE

4

3

2

1

D

C

B

A