

4

3

2

1

D

D

C

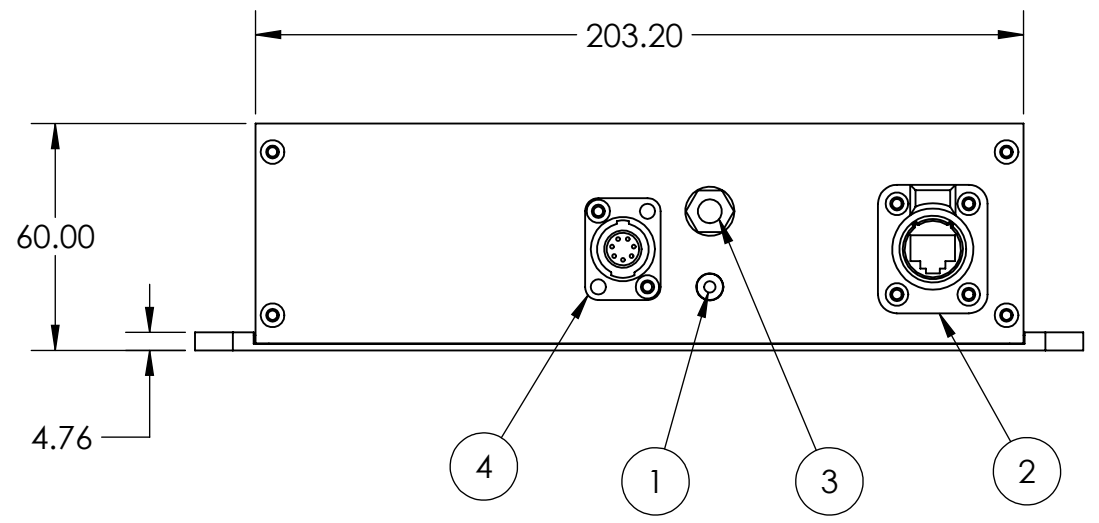
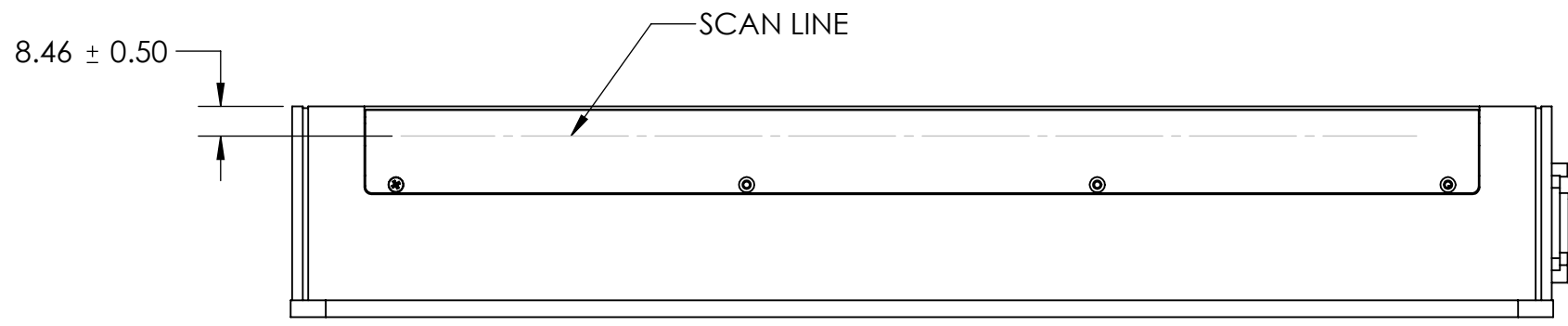
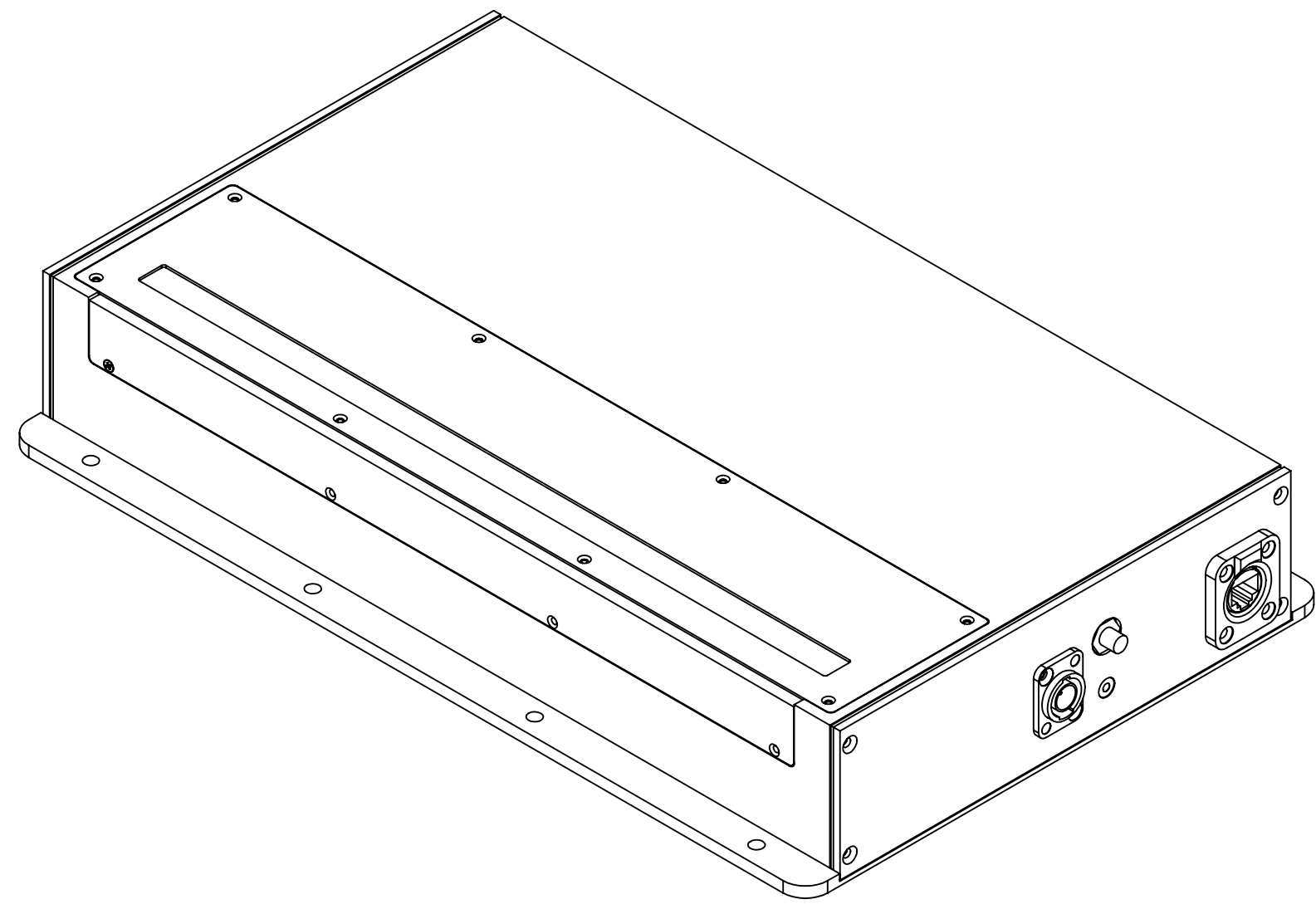
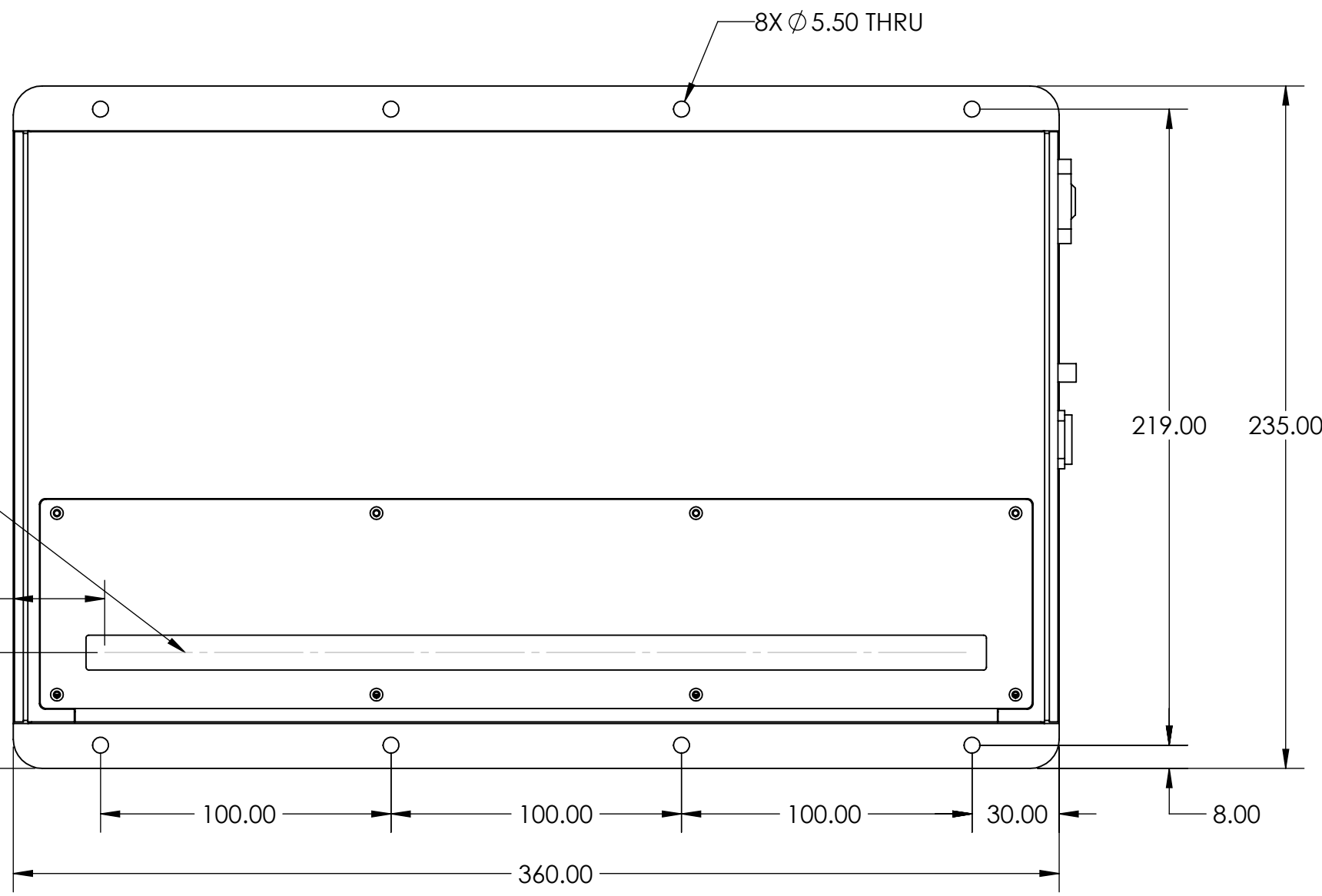
C

B

B

A

A



CUSTOMER SIGNATURE	DATE

ITEM NO.	PART NUMBER	DESCRIPTION	QTY
1	508-00001	LED PANEL INDICATOR PVL06FL131	1
2	501-00005	NEUTRIK CAT6A PANEL CONNECTOR NE8FDX-P6-W	1
3	500-00012	SMA CONNECTOR	1
4	501-00003	CCD POWER CONNECTOR - NEUTRIK ORP8M	1

CLEAR ALODINE SURFACE FINISH

PROPRIETARY AND CONFIDENTIAL
 THE INFORMATION CONTAINED IN THIS DRAWING IS THE SOLE PROPERTY OF <INSERT COMPANY NAME HERE>. ANY REPRODUCTION IN PART OR AS A WHOLE WITHOUT THE WRITTEN PERMISSION OF <INSERT COMPANY NAME HERE> IS PROHIBITED.

UNLESS OTHERWISE SPECIFIED:		NAME	DATE	 107 Bonaventura Drive San Jose, CA 95134
DIMENSIONS ARE IN MM TOLERANCES: ANGLES: \pm 0.5 DEGREES NO PLACE DECIMAL: \pm 0.5 ONE PLACE DECIMAL: \pm 0.2 TWO PLACE DECIMAL: \pm 0.1		DRAWN		
INTERPRET GEOMETRIC TOLERANCING PER: ANSI Y-14.5		CHECKED		TITLE:
MATERIAL		ENG APPR.		XTI12848C0400-012-AR-GX
FINISH		MFG APPR.		SIZE DWG. NO. REV
NEXT ASSY	USED ON	Q.A.		C 980-00009 1
APPLICATION		COMMENTS:		SCALE: 1:2 WEIGHT: SHEET 1 OF 1
DO NOT SCALE DRAWING				

4

3

2

1