

4 3 2 1

D

C

B

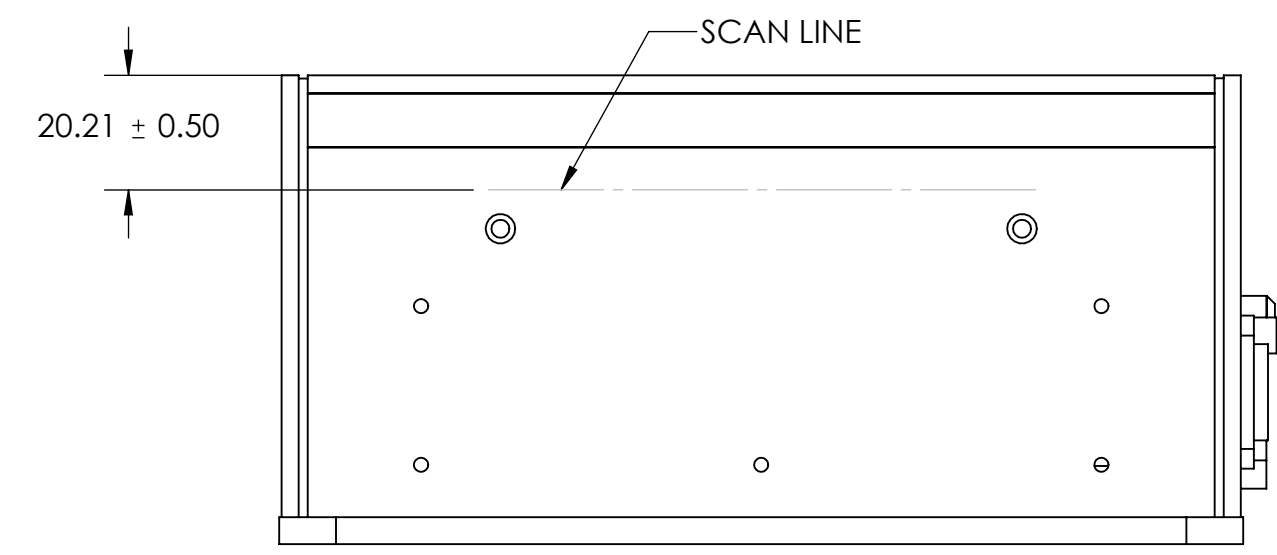
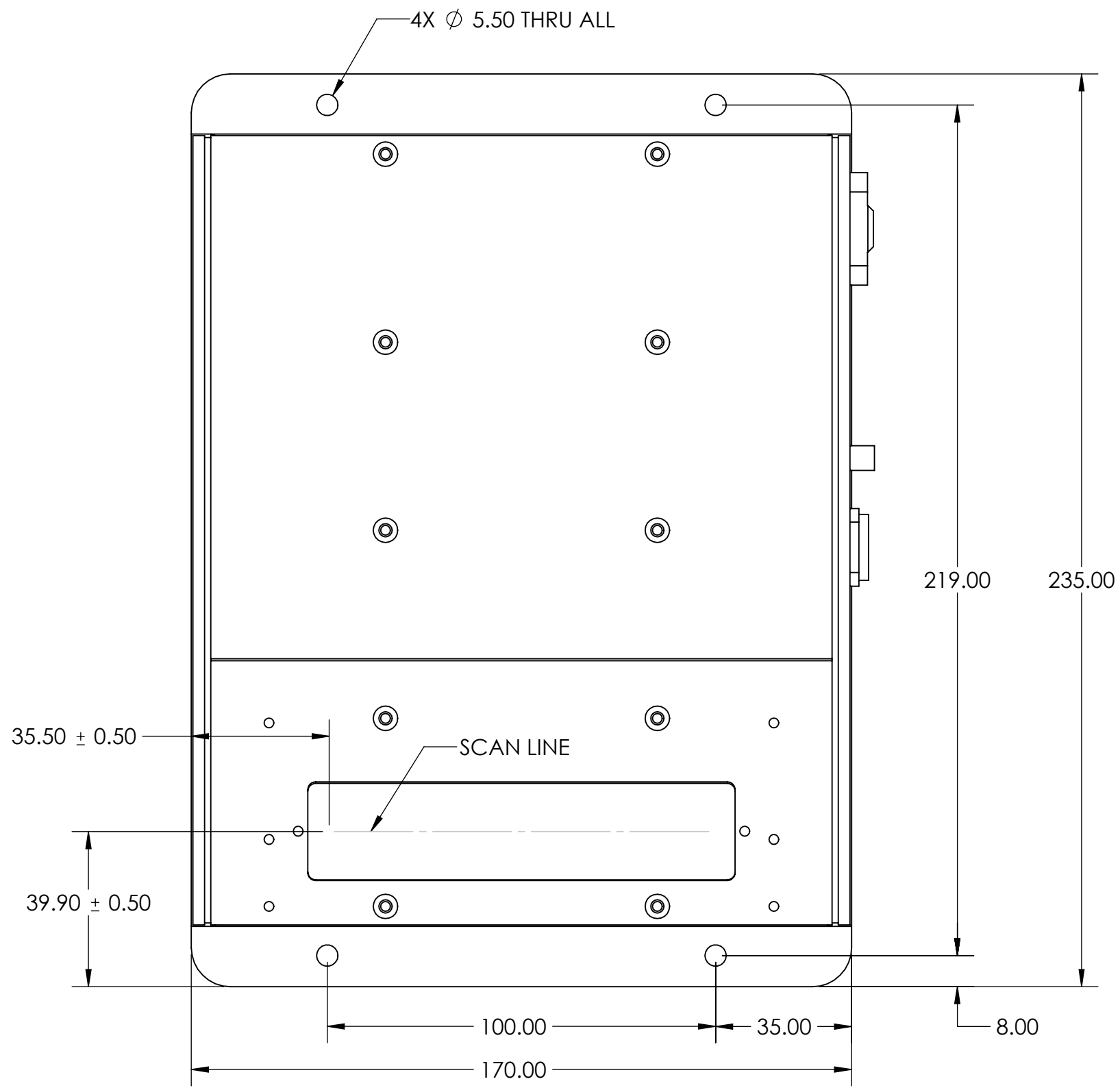
A

D

C

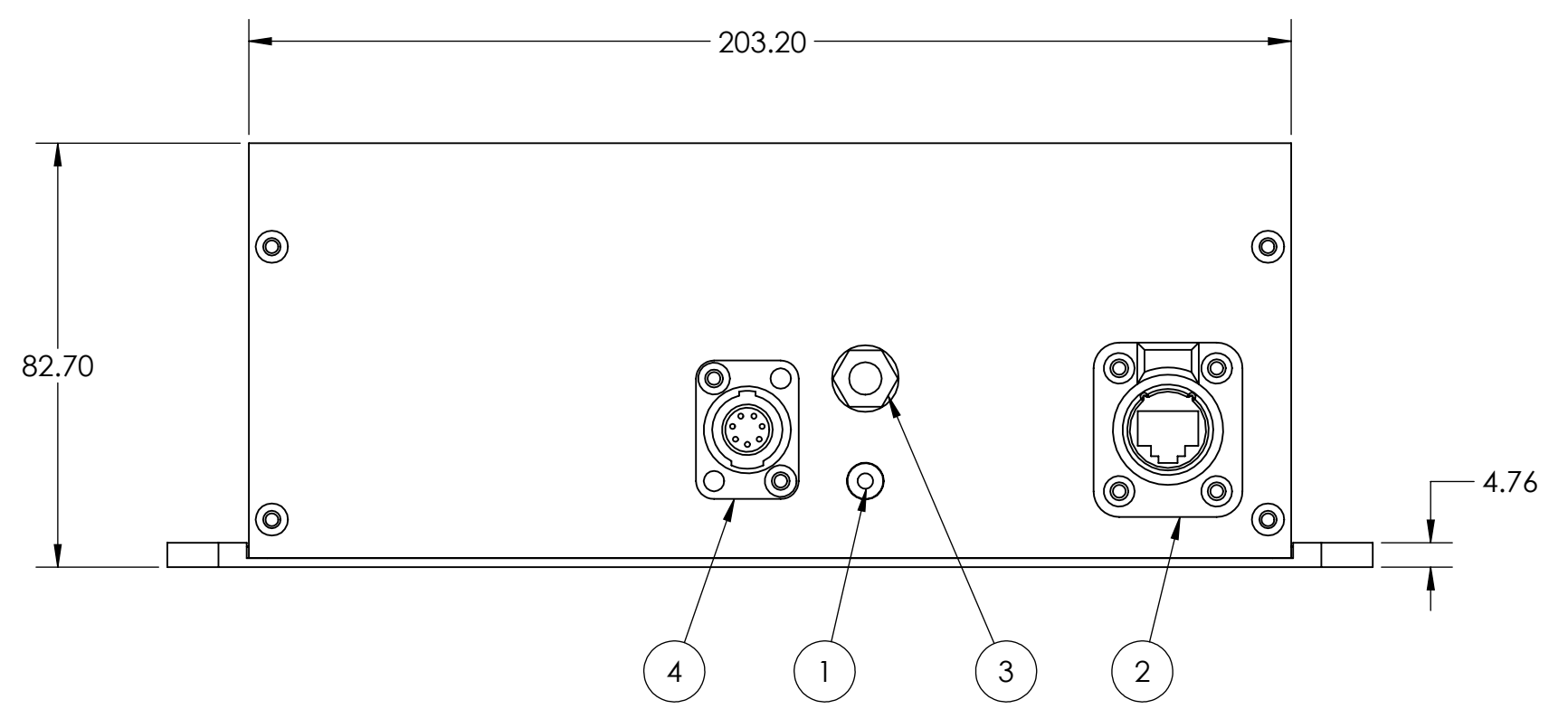
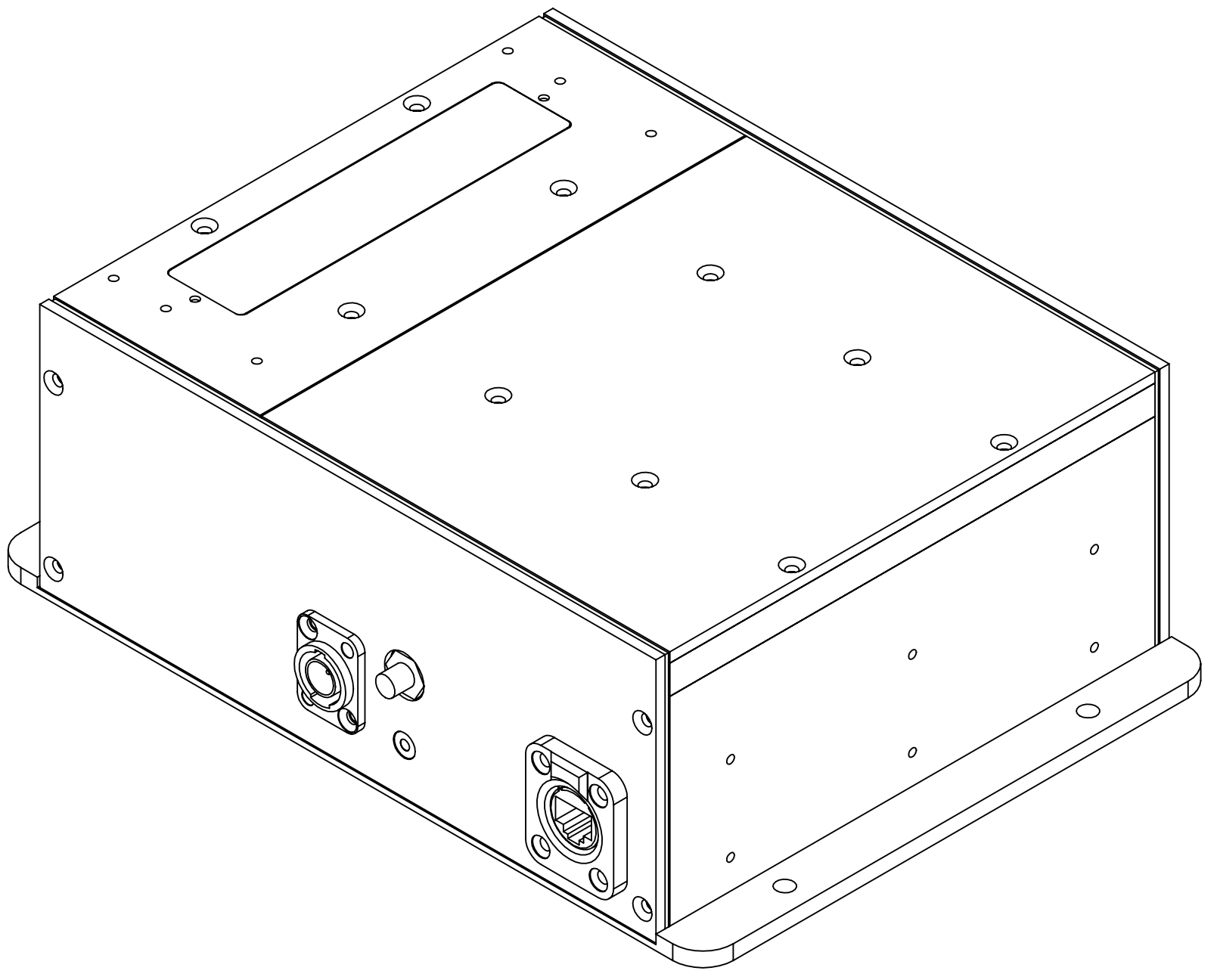
B

A



CUSTOMER SIGNATURE	DATE

ITEM NO.	PART NUMBER	DESCRIPTION	QTY
1	508-00001	LED PANEL INDICATOR PVL06FL131	1
2	501-00005	NEUTRIK CAT6A PANEL CONNECTOR NE8FDX-P6-W	1
3	500-00012	SMA CONNECTOR	1
4	501-00003	CCD POWER CONNECTOR - NEUTRIK ORP8M	1



CLEAR ALODINE SURFACE FINISH

**PROPRIETARY AND CONFIDENTIAL**  
 THE INFORMATION CONTAINED IN THIS DRAWING IS THE SOLE PROPERTY OF <INSERT COMPANY NAME HERE>. ANY REPRODUCTION IN PART OR AS A WHOLE WITHOUT THE WRITTEN PERMISSION OF <INSERT COMPANY NAME HERE> IS PROHIBITED.

UNLESS OTHERWISE SPECIFIED:	NAME	DATE
DIMENSIONS ARE IN MM	DRAWN	
TOLERANCES:	CHECKED	
ANGLES: ± 0.5 DEGREES	ENG APPR.	
NO PLACE DECIMAL: ± 0.5	MFG APPR.	
ONE PLACE DECIMAL: ± 0.2	Q.A.	
TWO PLACE DECIMAL: ± 0.1	COMMENTS:	
INTERPRET GEOMETRIC TOLERANCING PER: ANSI Y-14.5		
MATERIAL		
SEE PARTS LIST		
FINISH		
SEE PARTS LIST		
APPLICATION		
DO NOT SCALE DRAWING		

		107 Bonaventura Drive San Jose, CA 95134
TITLE: <b>XTI12848C0400-225-004-TR-GX</b>		
SIZE: <b>C</b>	DWG. NO.: <b>980-00011</b>	REV: <b>1</b>
SCALE: 1:2	WEIGHT:	SHEET 1 OF 1

4

3

2

1