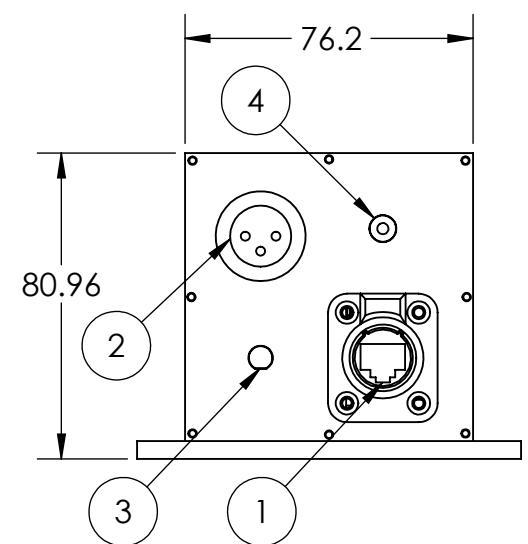
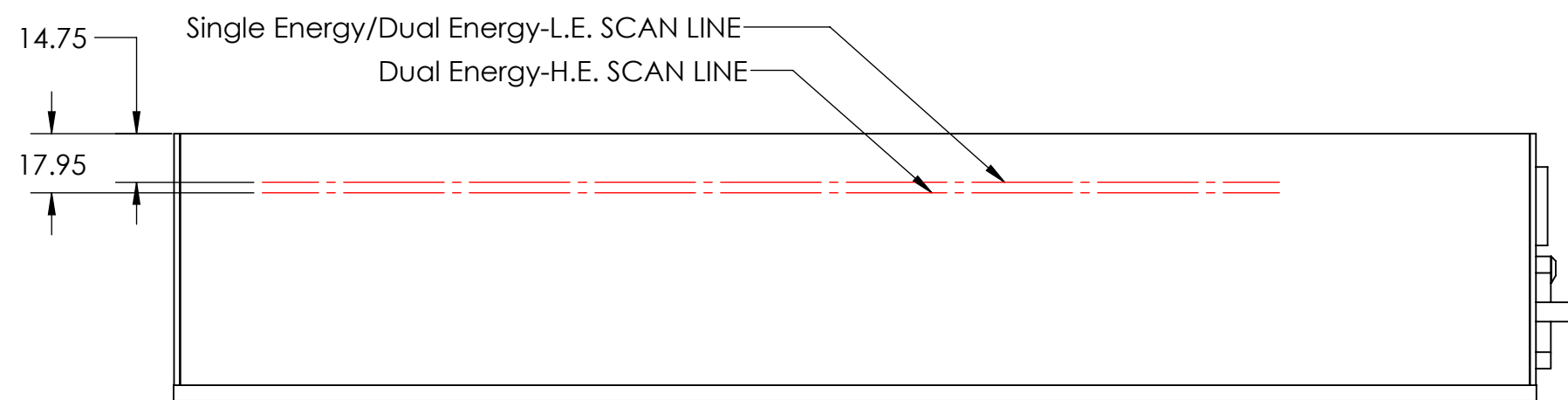
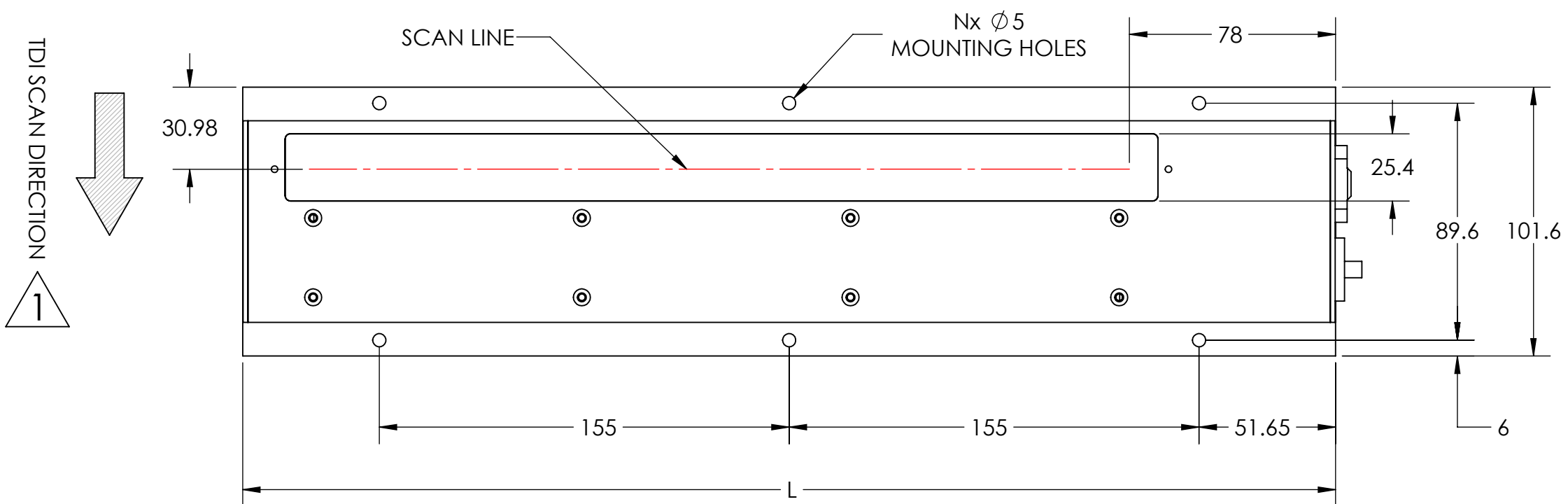
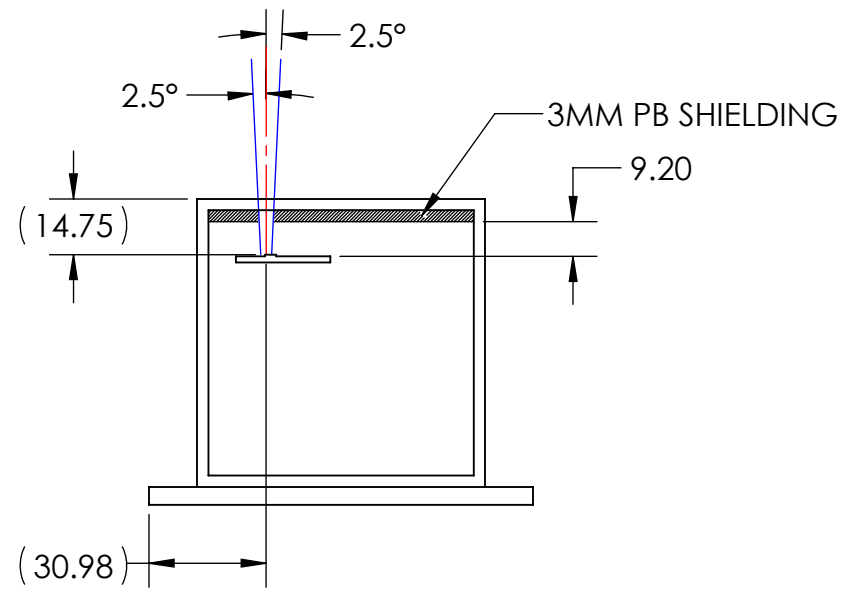


Acceptance Angle



#	CONNECTOR PANEL ITEMS
1	GIGABIT ETHERNET CONNECTOR (CAMERA LINK/USB3 AVAILABLE UPON REQUEST)
2	XLR POWER CONNECTOR*
3	SMA SYNCHRONIZATION CONNECTOR
4	LED POWER INDICATOR

* Mating Connector: NEUTRIK NC3FX-HD-B

CMOS LDA/TDI, Upright Profile Detector		
Model	Physical Length L (mm)	Mounting Holes on Each Side, N
XI-006-DS	258.3 ± 1*	2
XI-012-DS	413.3 ± 1	3
XI-018-DS	568.3 ± 2	4
XI-024-DS	723.3 ± 2	5
XI-030-DS	878.3 ± 2	6
XI-036-DS	1033.3 ± 3	7
XI-042-DS	1188.3 ± 3	8
XI-048-DS	1343.3 ± 3	9
XI-054-DS	1498.3 ± 3	10
XI-060-DS	1653.3 ± 4	11
XI-066-DS	1808.3 ± 4	12
XI-072-DS	1963.3 ± 4	13
XI-078-DS	2118.3 ± 4	14

*** For 6" Single Energy detector only.
6" Dual Energy detector has same dimension as the 12" detector.**

NOTES:
 1 SCAN DIRECTION FOR 90800 SERIES ONLY.
 FOR 8800 SERIES, IT'S BIDIRECTIONAL.

REVISIONS			
REV.	DESCRIPTION	DATE	APPROVED
1.0	ORIGIN	9/18/17	N.LUU
2.0	UDPATE SCAN LINE LOCATION	01/31/19	N.LUU

PROPRIETARY AND CONFIDENTIAL

THE INFORMATION CONTAINED IN THIS DRAWING IS THE SOLE PROPERTY OF X-SCAN IMAGING CORP. ANY REPRODUCTION IN PART OR AS A WHOLE WITHOUT THE WRITTEN PERMISSION OF X-SCAN IMAGING CORP IS PROHIBITED.

DRAWN	A.DOAN	DATE	1/18/19	TITLE:	X-SCAN IMAGING
ENG APPR.	N.LUU	DATE	1/31/19		
DIMENSIONS ARE IN MM TOLERANCES: UNLESS OTHERWISE SPECIFIED, ALL DIMENSIONS ARE ±1MM.				XI-###-DS	
SIZE	DWG. NO.	REV			
C	190131	2.0			
SCALE: N/A		SHEET 1 OF 1			