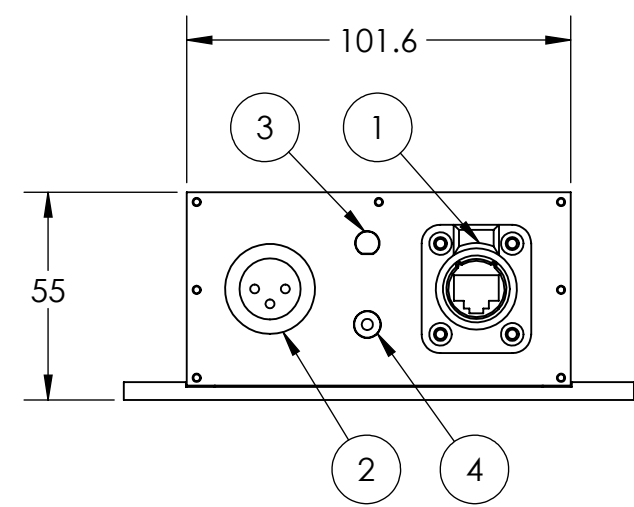
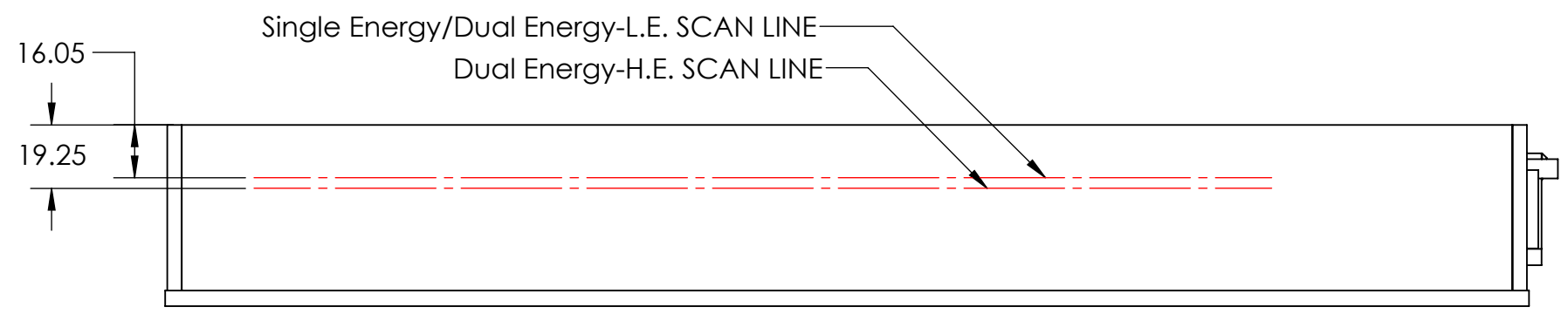
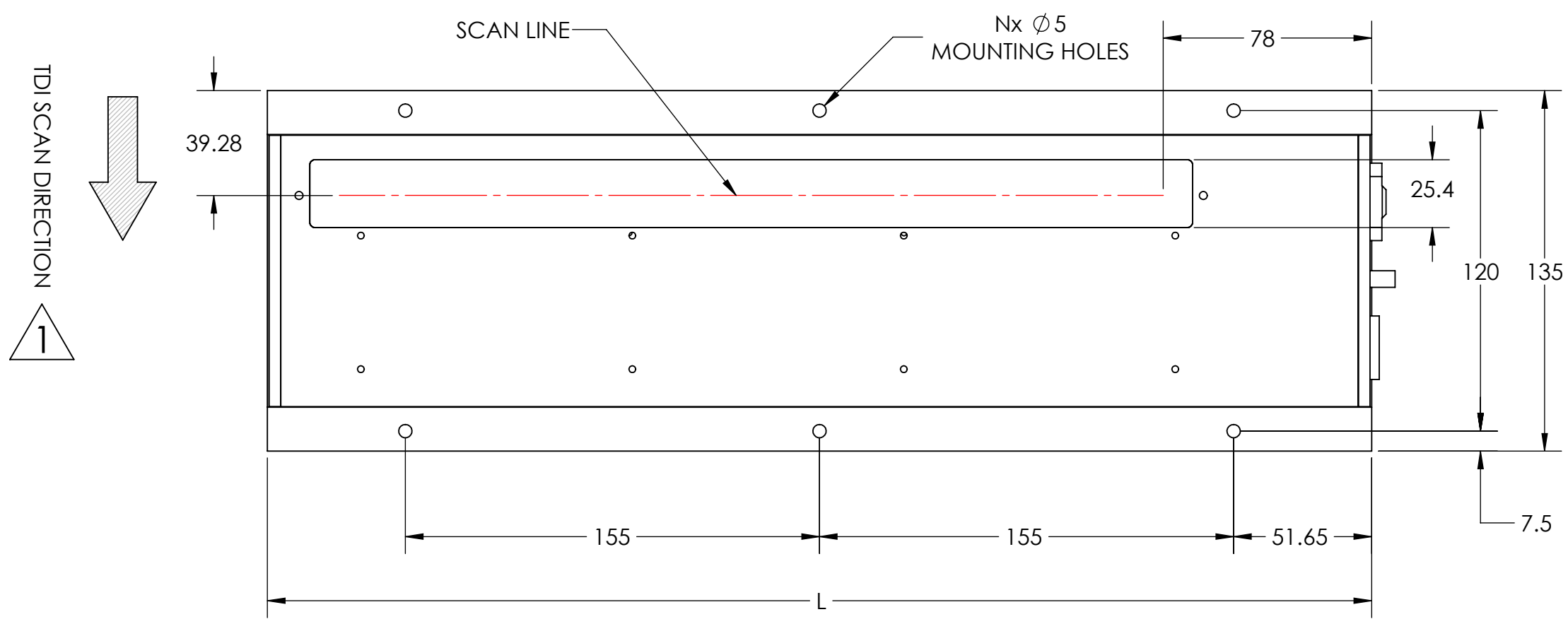
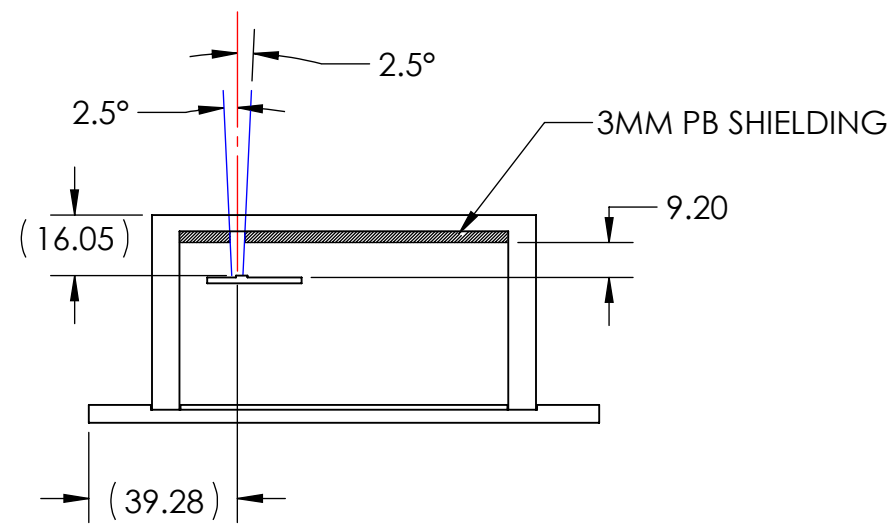


# Acceptance Angle



#	CONNECTOR PANEL ITEMS
1	GIGABIT ETHERNET CONNECTOR (CAMERA LINK/USB3 AVAILABLE UPON REQUEST)
2	XLR POWER CONNECTOR*
3	SMA SYNCHRONIZATION CONNECTOR
4	LED POWER INDICATOR

\* Mating Connector: NEUTRIK NC3FX-HD-B

CMOS LDA/TDI , Flat Profile Detector		
Model	Physical Length L (mm)	Mounting Holes on Each Side, N
XI-006-DR	258.3 ± 1*	2
XI-012-DR	413.3 ± 1	3
XI-018-DR	568.3 ± 2	4
XI-024-DR	723.3 ± 2	5
XI-030-DR	878.3 ± 2	6
XI-036-DR	1033.3 ± 3	7
XI-042-DR	1188.3 ± 3	8
XI-048-DR	1343.3 ± 3	9
XI-054-DR	1498.3 ± 3	10
XI-060-DR	1653.3 ± 4	11
XI-066-DR	1808.3 ± 4	12
XI-072-DR	1963.3 ± 4	13
XI-078-DR	2118.3 ± 4	14

**\* For 6" Single Energy detector only.  
6" Dual Energy detector has same dimension as the 12" detector.**

**NOTES:**  
 SCAN DIRECTION FOR 90800 SERIES ONLY.  
 FOR 8800 SERIES, IT'S BIDIRECTIONAL.

REVISIONS			
REV.	DESCRIPTION	DATE	APPROVED
1.0	ORIGIN	09/08/17	N.LUU
2.0	UPDATE SCAN LINE LOCATION	01/31/19	N.LUU

**PROPRIETARY AND CONFIDENTIAL**

THE INFORMATION CONTAINED IN THIS DRAWING IS THE SOLE PROPERTY OF X-SCAN IMAGING CORP. ANY REPRODUCTION IN PART OR AS A WHOLE WITHOUT THE WRITTEN PERMISSION OF X-SCAN IMAGING CORP IS PROHIBITED.

DRAWN	A.DOAN	01/28/19	TITLE: <b>X-SCAN IMAGING</b>
ENG APPR.	N.LUU	01/31/19	

DIMENSIONS ARE IN MM UNLESS OTHERWISE SPECIFIED. ALL DIMENSIONS ARE ±1MM.

SIZE	DWG. NO.	REV
<b>C</b>	190131	<b>2.0</b>

SCALE: N/A SHEET 1 OF 1